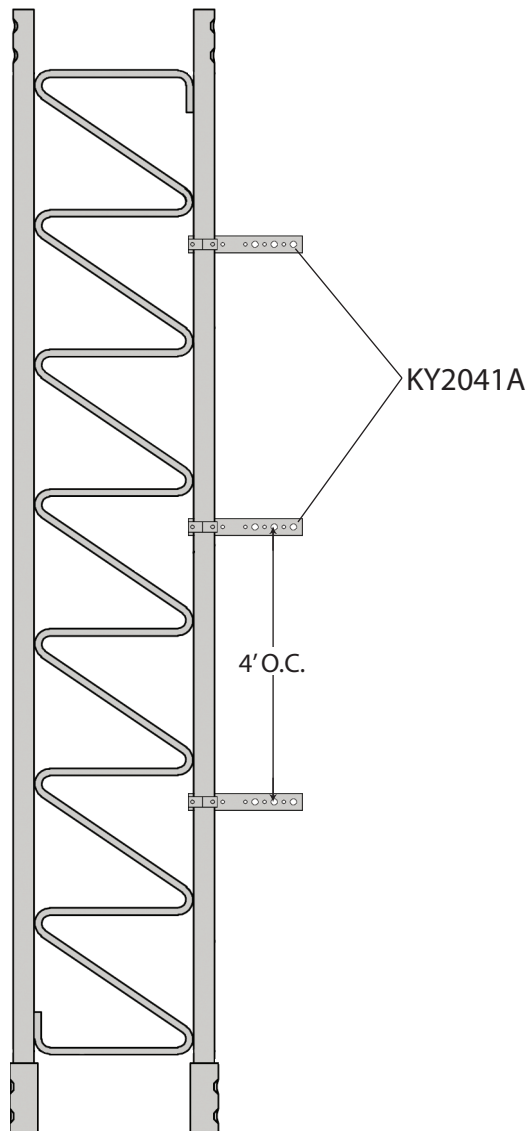


WAVEGUIDE BRACKETS 3-HOLE (G-SERIES)



**G-Series
Tower Elevation**

ORDERING INFORMATION

KY2041A

Kit Includes:

(1) KY2040
Angle Bracket 3 7/16"
& 3 3/4" Dia. Hole

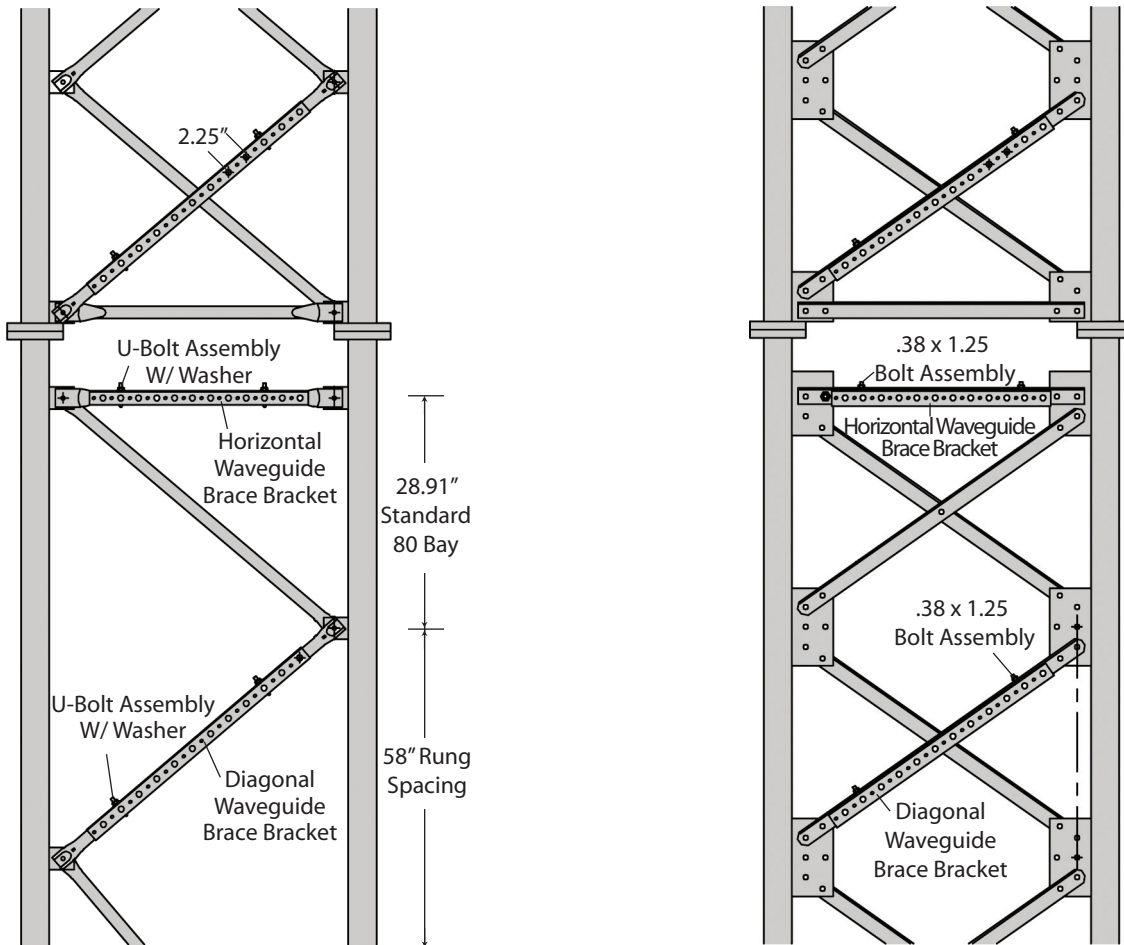
(1) KH91
Saddle Clamp

(2) 210176GA
3/8 x 2 1/2" Bolt Assembly

Notes:

1. If circular waveguide is used, threaded adapters, provided by others, may be required to perfectly align waveguides on ladder.
2. Assembly used for mounting to 2W, 3WN, 4N, 5N, 25G, 45G, 55G and 65G towers.
3. Typical spacing required - (5) KY2041A per 20' of tower, based on 4' O.C.

WAVEGUIDE BRACKETS 8-HOLE (80 SERIES)



Tower Sections

ORDERING INFORMATION

WAF801211

1.5" Dia. Tube Horizontals
(1 per 15' or 20' section)

WAF801212

1.5" Dia. Tube Diagonals
(3 per 15' section) / (4 per 20' section)

ORDERING INFORMATION

WAF801213

For Angle Horizontals

WAF801214

(2) Bolt 2 x .25 Angle Diagonals

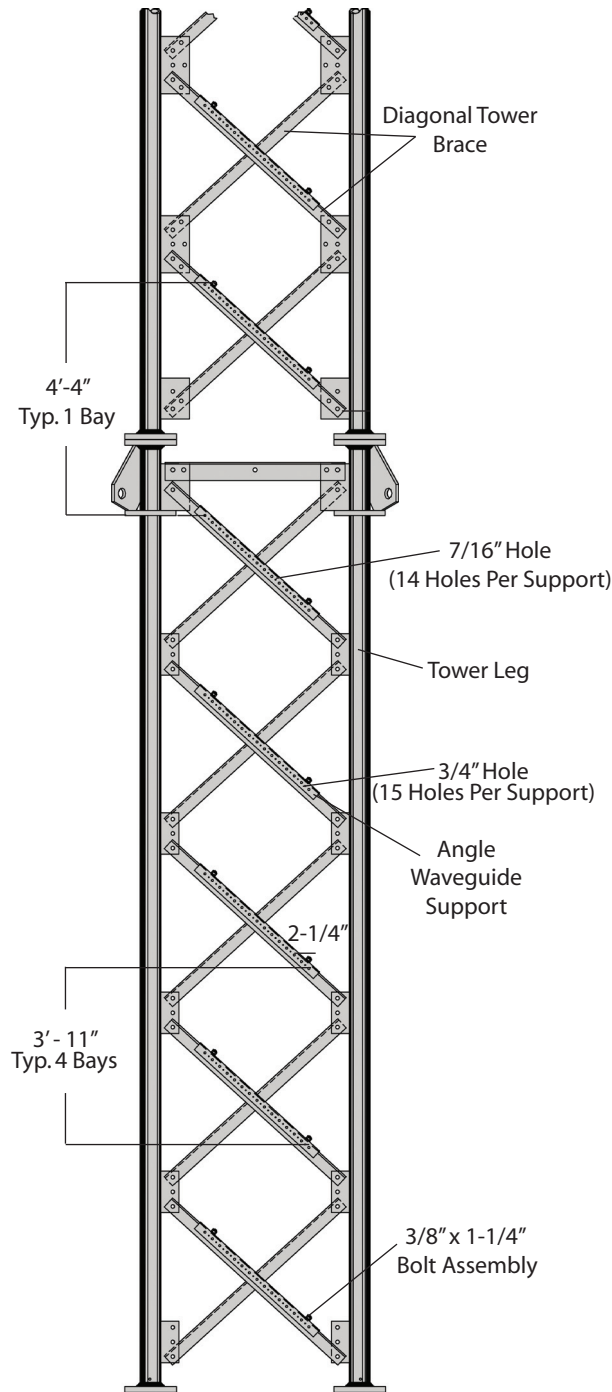
WAF801215

(1) Bolt 1.75 x .19 Angle Diagonals

Notes:

1. Center bolt must be installed with nut towards tower axis on x-braced sections.
2. All waveguide brace brackets must be installed with their vertical face parallel to their tower face.

WAVEGUIDE BRACKETS BRACE MOUNTED 90 - 15 HOLE



Order (1) assembly part number WAF901521 for each diagonal brace bay that waveguides cross in a section. (Ex. (5) WAF901521 for a 20' tower section, (3) WAF901521 for a 12' tower section, etc.) This assembly may be mounted on outside of tower as shown or on inside as required.

* This assembly is not recommended for use with circular waveguide.

ORDERING INFORMATION

WAF901521
Angle Waveguide Support
& Bolt Assembly